

Primare A33.2 User Guide



Copyright and acknowledgments

Copyright © 2007 Primare Systems AB.
All rights reserved.

Primare Systems AB
Renvägen 1
SE-352 45 Växjö
Sweden

<http://www.primare.net>

Issue: A33.2/2

The information in this guide is believed to be correct as of the date of publication. However, our policy is one of continuous development and so the information is subject to change without notice, and does not represent a commitment on the part of Primare Systems AB.

Primare is a trademark of Primare Systems AB.

This guide was produced by Human-Computer Interface Ltd, <http://www.interface.co.uk>

Safety compliance

This product has been designed to meet the IEC 60065 international electrical safety standard.



CAUTION

RISK OF ELECTRIC SHOCK DO NOT OPEN

CAUTION: To reduce the risk of electrical shock do not remove cover (or back). No user serviceable parts inside. Refer servicing to qualified service personnel.

WARNING: To reduce the risk of fire or electrical shock, do not expose this apparatus to rain or moisture.

CAUTION: In Canada and the USA, to prevent electric shock, match the wide blade of the plug to the wide slot in the socket and insert the plug fully into the socket.

ATTENTION

RISQUE DE CHOC ELECTRIQUE NE PAS OUVRIR



The lightning flash with an arrowhead symbol within an equilateral triangle, is intended to alert the user to the presence of uninsulated 'dangerous voltage' within the product's enclosure that may be of sufficient magnitude to constitute a risk of electric shock to persons.



The exclamation point within an equilateral triangle is intended to alert the user to the presence of important operating and maintenance (servicing) instructions in the literature accompanying the product.

Important safety instructions

This product is designed and manufactured to meet strict quality and safety standards. However, you should be aware of the following installation and operation precautions.

1. Take heed of warnings and instructions

You should read all the safety and operating instructions before operating this appliance. Retain this handbook for future reference and adhere to all warnings in the handbook or on the appliance.

2. Water and moisture

The presence of electricity near water can be dangerous. Do not use the appliance near water – for example next to a bathtub, washbowl, kitchen sink, in a wet basement or near a swimming pool, etc.

3. Object or liquid entry

Take care that objects do not fall and liquids are not spilled into the enclosure through any openings. Liquid-filled objects such as vases should not be placed on the equipment.

4. Ventilation

Do not place the equipment on a bed, sofa, rug or similar soft surface, or in an enclosed bookcase or cabinet, since ventilation may be impeded. We recommend a minimum distance of 50mm around the sides and top of the appliance to provide adequate ventilation.

5. Heat

Locate the appliance away from naked flames or heat producing equipment such as radiators, stoves or other appliances (including other amplifiers) that produce heat.

6. Climate

The appliance has been designed for use in moderate climates.

7. Racks and stands

Only use a rack or stand that is recommended for use with audio equipment. If the equipment is on a portable rack it should be moved with great care, to avoid overturning the combination.

8. Cleaning

Unplug the unit from the mains supply before cleaning.

The case should normally only require a wipe with a soft, damp, lint-free cloth. Do not use paint thinners or other chemical solvents for cleaning.

We do not advise the use of furniture cleaning sprays or polishes as they can cause indelible white marks if the unit is subsequently wiped with a damp cloth.

9. Power sources

Only connect the appliance to a power supply of the type described in the operating instructions or as marked on the appliance.

This is a Class 1 device and **must** be earthed.

10. Power-cord protection

Power supply cords should be routed so that they are not likely to be walked on or pinched by items placed upon or against them, paying particular attention to cords and plugs, and the point where they exit from the appliance.

11. Grounding

Ensure that the grounding means of the appliance is not defeated.

12. Power lines

Locate any outdoor antenna/aerial away from power lines.

13. Non-use periods

If the unit has a stand-by function, a small amount of current will continue to flow into the equipment in this mode. Unplug the power cord of the appliance from the outlet if left unused for a long period of time.

14. Abnormal smell

If an abnormal smell or smoke is detected from the appliance, turn the power off immediately and unplug the unit from the wall outlet. Contact your dealer immediately.

15. Servicing

You should not attempt to service the appliance beyond that described in this handbook. All other servicing should be referred to qualified service personnel.

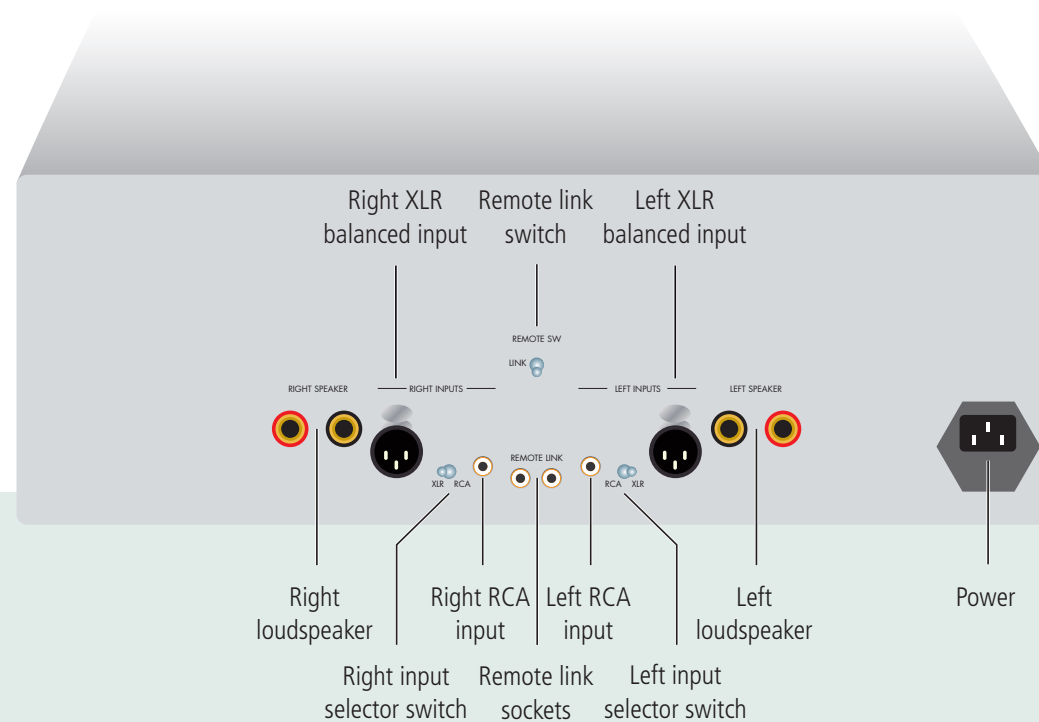
16. Damage requiring service

The appliance should be serviced by qualified service personnel when:

- A. the power-supply cord or the plug has been damaged, or
- B. objects have fallen, or liquid has spilled into the appliance, or
- C. the appliance has been exposed to rain, or
- D. the appliance does not appear to operate normally or exhibits a marked change in performance, or
- E. the appliance has been dropped or the enclosure damaged.

Welcome

Welcome to the Primare A33.2 Amplifier! The A33.2 is a modular power amplifier designed as the ideal output stage in a home theatre or hi-fi system. Here is how to set up your A33.2 in four simple steps:



1 Unpack the A33.2

Your A33.2 is supplied with the following component:

- Mains cable.

If this is missing please contact your supplier. We recommend you retain the packaging in case you need to transport the unit at a later date.

2 Connect speakers

The A33.2 is designed to be connected directly to a pair of loudspeakers of 8Ω impedance..

- Connect the left and right loudspeakers to the corresponding terminals on the back panel.

The terminals can accept speaker cables terminated with spade terminals or bare wires.

For the best sound quality connect the red wire from each speaker to the red terminal marked + and the black wire from each speaker to the black terminal marked –.

To connect bare wires unscrew the terminal, pass the bare wire through the hole in the terminal bolt, and clamp the wire in place by screwing the terminal back down hand tight.

Advice on positioning your speakers

For best results your speakers should be positioned about 2-3m apart, at least 20cm from the rear wall and at least 50cm from any side wall. The tweeter or high frequency unit in the speaker should be at head height when you are seated, listening to the speaker.

3 Connect inputs

- Connect the A33.2 to the preamplifier or processor using either the left and right RCA inputs, or the left and right XLR inputs
- Put the input selector switches in the appropriate positions.

If you are using the RCA inputs use high quality stereo RCA leads.

If you are using the XLR inputs use balanced XLR cables.

4 Connect power

Connect the power connector on the back panel to your power outlet using the mains cable supplied with the A33.2.

If this cable is not suitable for your power outlets please contact your supplier for an alternative cable.



WARNING: Before connecting power check that the required supply voltage, indicated on the back panel, corresponds to your local AC supply.

If a different voltage is stated on the type plate do not connect the amplifier to the mains power, and seek advice from your dealer.



WARNING: Always disconnect the A33.2 from the mains power before connecting or disconnecting any cables.

Technical specification

Outputs

Output power per channel: 120W into 8 Ω , 200W into 4 Ω

Output impedance: <0.03 Ω

Inputs

Line inputs: 1V for 120W into 8 Ω

XLR inputs: 2V for 120W into 8 Ω

Input impedance: 11k Ω

Response

Frequency response: <10Hz – 100kHz, -3dB

THD: <0.08%

Signal-to-noise, line: -100dB

General

DC trigger voltage: 4 to 12V

Power consumption: 800W.

Size: 430 x 385 x 140mm (WxDxH)

Weight: 20kg

Additional information

Remote power on/off

For convenience the A33.2 can be powered on and off via a remote link cable, avoiding the need to switch it on or off separately from the preamplifier in the system.

To power the A33.2 on and off remotely from a Primare SP31 Processor or PRE30 Preamplifier connect the REMOTE output from the processor/preamplifier to one of the REMOTE LINK sockets on the A33.2, using a twin core cable terminated in 3.5mm jack plugs. The second REMOTE LINK socket can be used to daisy-chain the remote output to further A30 series amplifiers.

To use the remote link switch the REMOTE SW switch to the LINK position.

Using the A33.2 with other Primare products

Although the A33.2 is flexible enough to act as the output stage in virtually any system, it is ideal for use with other products in the Primare range, such as the Primare SP31 Processor or PRE30 Preamplifier.

The A33.2 can be used as a building block in conjunction with the Primare A30.3 and A30.5 to create modular systems with any desired number of matched output stages, and one or more A30 Series amplifiers can be powered on or off remotely from an SP31 or PRE30 using the remote link connections.

P R I M A R E

Primare Systems AB, Renvägen 1, SE-352 45 Växjö, Sweden. <http://www.primare.net>